

---

# About JY45DR



The JY45DR rescue boat is designed and built according to the IMO "International Convention on Safety of sea 1974" and all its update amendments including the 1996 revision of Chapter III and the inception of the associated International Life-saving Appliance Code (LSA CODE). Every test meets the requirements about rigid rescue boat of IMO "Life-saving Appliances Test" and IMO Resolution MSC.81 (70).



## Specifications:

Mould length	4.50m
Mould Breadth	1.70m
Mould depth	0.75m
Occupants	6 persons
Speed	>6 kts
Boat Weight (light)	980Kg
Boat Weight (fully loaded)	1480Kg

---

# Hull construction

The hull is constructed of glass fibre reinforced polyester by hand lay-up. The hull and the inner hull are separately laminated. The space between the hull and the inner hull is filled with polyurethane foam as permanent buoyancy.

In order to increase the boat's corrosion-resistant performances, all fittings on this boat are made of stainless steel, aluminum, copper or galvanized steel.



---

# Buoyancy and strength



The polyurethane foam filled in the space between the hull and the inner hull provides sufficient buoyancy for the rescue boat to prevent the boat from sinking when it is damaged

The JY45DR could also be used as a fireboat, if it's loaded with fireboat equipment.

The construction of the boat is designed according to the IMO SOLAS regulations to ensure safe sailing under rough sea conditions.



---

# Release system



The release system can be used at full and light load. The hook system has a self-lock system to ensure it can not release by accident.

The painter release is mounted on the bow.



Painter release system



---

# Propulsion

JY45DR rescue boat is powered by an inboard diesel engine.

**Specifications:**

Model        380J  
Power        19.7 kW (27 HP)  
Revolution   3600 rpm



---

## Electrical equipment



The JY45DR has 2 pcs 12VDC batteries, to be charged by the onboard charger (42VAC supply).

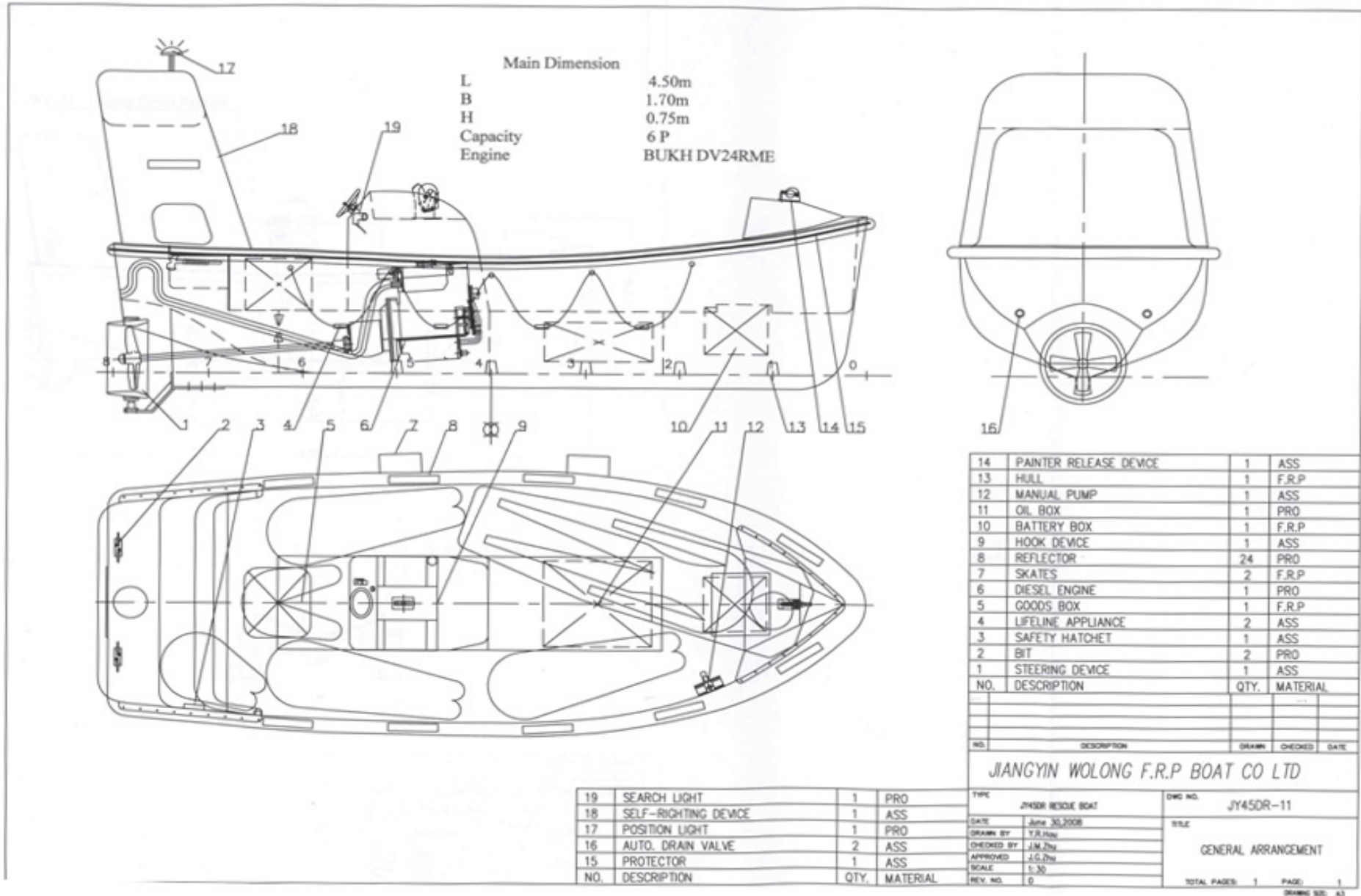
---

# Test and certification

Every boat has been checked before delivery and comes with a SOLAS MED certificate.



# General arrangement





# Equipment list

---

NO.	NAME	MATERIAL	SUPPLY PER BOAT	REMARKS
1	PADDLE	WOOD 1.6M	2 PCS	
2	BUOYANT QUOITS WITH BUOYANT LINE		2 PCS	
3	TWO BOAT-HOOKS	WOOD FORGED (STEEL/GALV)	1 PC.	
4	BAILER		1 PC.	
5	BUCKET	PLASTIC	1 PC.	12 LTR
6	BUOYANT LINE		1 PC.	50m
7	SEA ANCHOR		1 SET	
8	PAINTER		1 PC.	
9	HATCHET	FORGED STEEL/GALV	1 PC.	
10	SEARCHLIGHT		1 PC.	
11	WATERTIGHT THERMAL PROTECTIVE		2 PCS	
12	COMPASS		1 SET	
13	RADAR REFLECTOR		1 PC.	
14	WATERTIGHT BOX WITH FIRST-AID	WATERPROOF	1 SET	
15	WHISTLE	PLASTIC	1 PC.	
16	WATERPROOF ELECTRIC TORCH	PLASTIC	1 PC.	WITH 2 SPARE BATTERY 1 SPARE BULB
17	FIRE EXTINGUISHER		1 PC.	
18	LADDER		1 SET	