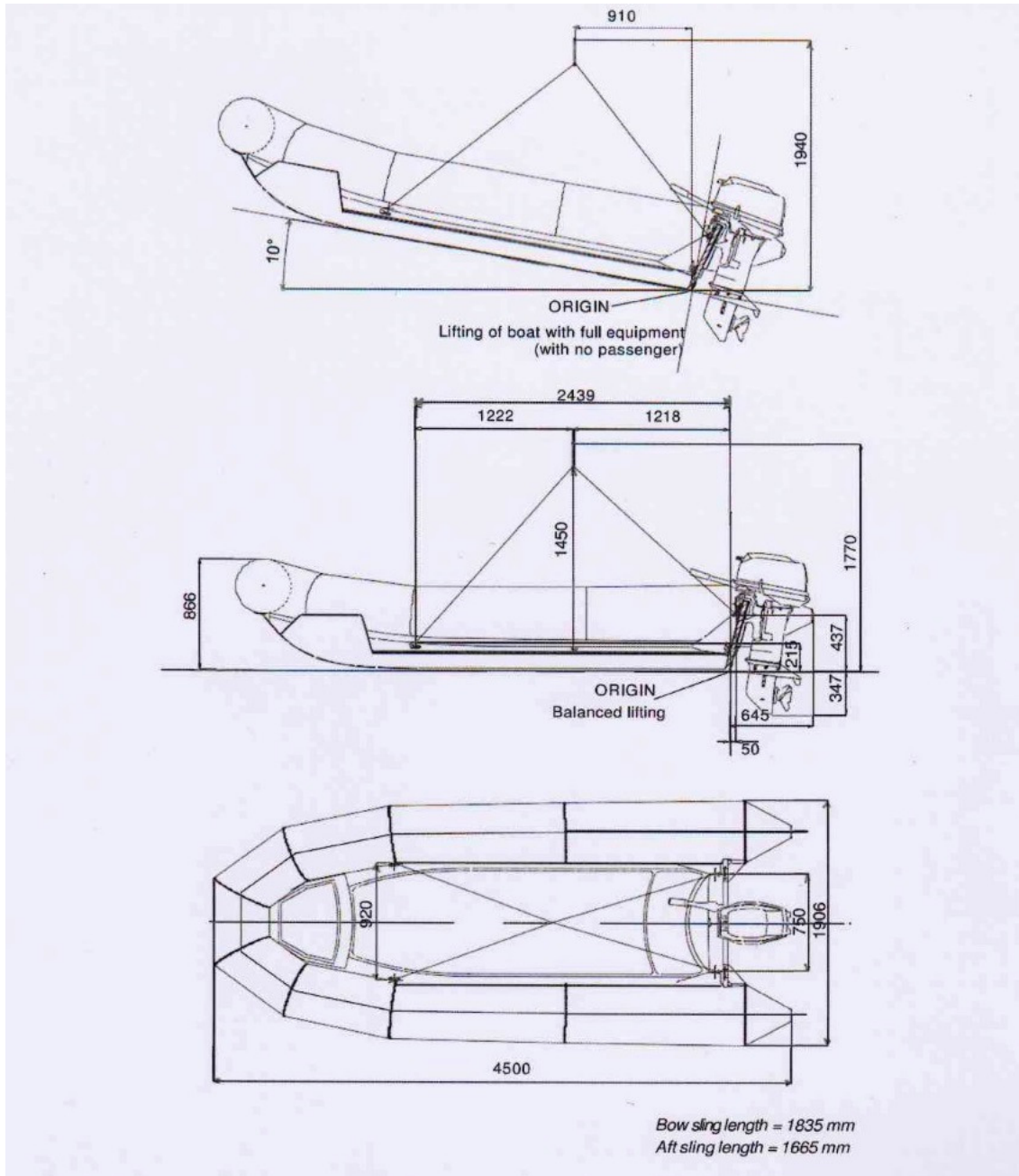


RESCUE BOAT RIBO 450 P SLING



1

Overall dimensions with lifting sling

Dimensions and weight +/- 5%

| CAPACITY | | | | |
|--|--------|--|-------------------------|--|
| Number of persons: 6 | | | Buoyancy volume: 1458 l | |
| DIMENSIONS | | | | |
| Length | | Width | | Buoyancy diameter |
| Overall | Inside | Overall | Inside | From 0.430 m to 0.487 m |
| 4.50 m | 3.52 m | 1.90 m | 0.93 m | |
| SAFETY / INFLATION | | | | |
| . 5 airtight compartments . 5 inflation valves . 5 overpressure valves (Leafield) | | | | |
| WEIGHT | | | | |
| With equipment & batteries | | With equipment, engine (40 HP) & fuel | | Operational weight with passengers (40 HP) |
| EC : 246 kg | | EC : 406 kg | | EC : 901 kg |
| ENGINE | | | | |
| Shaft length | | Engine power | | Fuel tank |
| long | | 25 HP 19 kw | 40 HP 29.4 kw | 25 HP engine: 25 l 40 HP engine: 2 x 25 l |
| TOWING | | | | |
| . 2 bow towing rings on hull . 2 towing points on transom | | . 1 bow towing V with on load release shackle . 1 aft towing V with snap hook | | |
| HOISTING | | | | |
| . 2 bow lifting points . 2 aft lifting points on transom . 1 lifting sling | | | | |
| OPTIONS | | | | |
| . Release hook: SWL \geq 950 kg & \leq 1.5 ton | | | | |
| . Overall cover | | | | |
| . SOLAS Engines: Yamaha 25NMHOL - Maximum towing force: 184 daN Yamaha 40VMHOL - Maximum towing force: 313 daN | | | | |

Dimensions and weight +/- 5%

| FABRIC | |
|---|---|
| <ul style="list-style-type: none"> . Neoprene orange fabric . Reflective tapes | <ul style="list-style-type: none"> . Buoyancy . Peripheral rubbing strake |
| HULL | |
| <ul style="list-style-type: none"> . GRP composite rigid orange hull . 1 hull drain | |
| TRANSOM | |
| <ul style="list-style-type: none"> . 1 self bailer . Engine aluminium mounting plate + wooden plate | |
| HANDLING | |
| <ul style="list-style-type: none"> . Inside lifeline (4.7m) . Outside lifeline (12.1m) | |
| SEATING | |
| <ul style="list-style-type: none"> . 2 fixed benches . 1 tilting bench | |
| EQUIPMENT FIXED TO THE RESCUE BOAT | |
| <ul style="list-style-type: none"> . Radar reflector . Boat hook . Righting lines (2) . Positioning light . Rescue quoits (2) . Towing line (50m) . Boarding ladder | |
| OTHER EQUIPMENT | |
| <ul style="list-style-type: none"> . Compass . Sponge (2) . First aid kit . Search light . Torch spare bulb & batteries . Thermal protective aid (2) . Whistle . Sea anchor . Floating knife . 12VDC battery in box . Bailer . Repair kit . Fire extinguisher . Telescopic paddles . Pump . Manual . Equipment bag . Electrical torch | |

| | |
|------------------|-----------------|
| Approval: | EC (MED) |
|------------------|-----------------|

Dimensions and weight +/- 5%



RIBO 450 fitted with Yamaha 25NMHOL



DE WOLF
MARITIME SAFETY

Krab 6, 4401 PA Yerseke, The Netherlands
+31 113 573580
www.dewolfmaritime.com

