

Product name:
Rescue boat crane.

Model number:
Rhs.11/4,0

Product description:
Rescue boat crane Rms.11/4,0 of the hydraulic slewing type, size 005tm/straight arm, suited for embarkation in inboard position.

Ratings:
Radius range: 3,0 - 5,0 m.
Maximum turning-out load is 11,2 kN at 4,0 m.
List/trim conditions: 20° list / 10° trim.
Design temperature: Td = -20°C.
MED type approval.
ABS type approval.

Optional:
Suitable for low temperature range Td = -40°C.
Other approval societies.



Complete package marine **lifesaving** equipment!



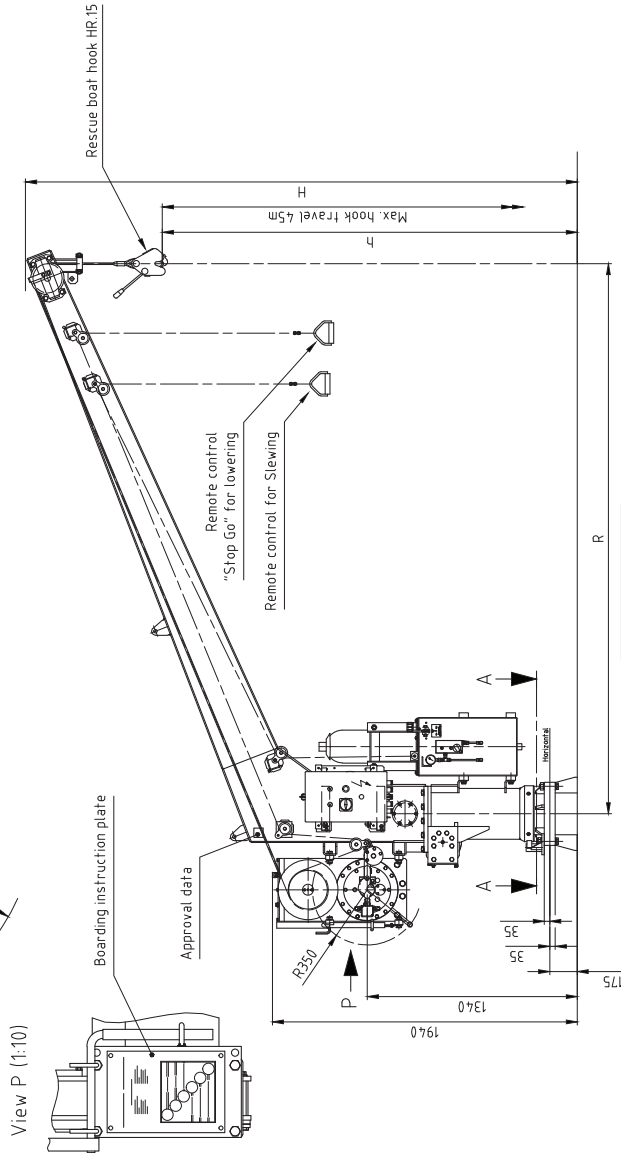
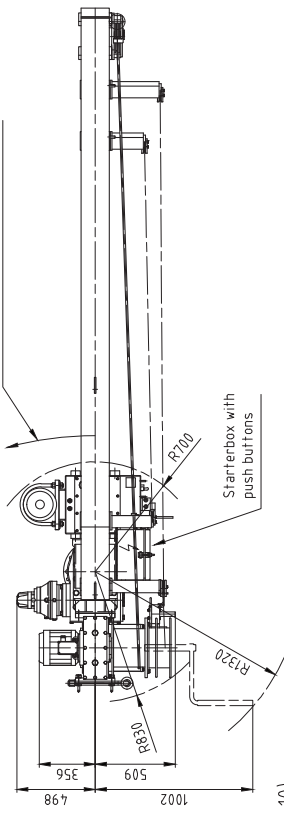
www.dewolfmaritime.com

www.rescueboats.nl

T +31 (0) 113 573580

F +31 (0) 113 573325

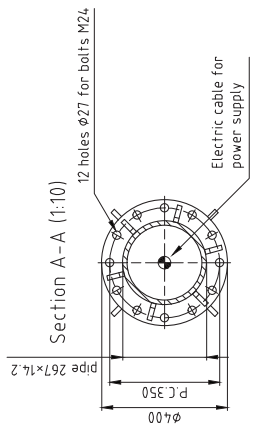
Slewing direction in stored power mode 90° max. (slewing angle max. 315°)



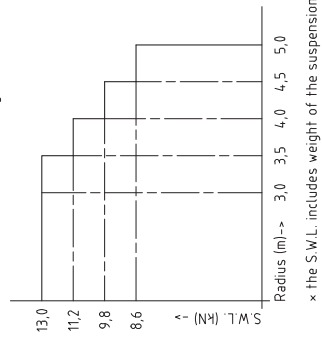
Static deck Forces and Moments

Lifesaving including heel: 20°/10°	
Max. SWL	Actual SWL
Mk 88 kNm x kNm	Mk 33 kN x kN
Msl 24 kNm x kNm	Fax 33 kN x kN

x actual deck forces can be determined on request



S.W.L. / Radius diagram



Height crane & suspension at several radii

R (m)	3,0	3,2	3,5	4,0	4,5	5,0
H (mm)	3315	3390	3510	3700	3890	4080
h1 (mm)	2445	2520	2640	2830	3020	3215

For scope of supply, see quotation

Left-hand execution is as shown
Right-hand execution is in opposite hand

ITEM	QUANT	DESCRIPTION	MATERIAL	REMARKS	MASS 1	MASS 2	MASS 3
A		RR					
B		HS					
C							
D							
E							
F							
G							
H							

name	description
date	
RR	R.S. reviewed and data updated
HS	data taken and crane updated

SCALE	DATE	NAME	CREATED
1:20	30-06-2008	RR	
REPLACING			
COPY OF			

Global Davit GmbH
Arrangement Rhs.
Size 005
2-2383
2-4668a

